

版本	设计变更	日期	会签
A	新品打样	2026. 4. 17	YYK

### Electrical PERFORMANCES

Impedance	50 Ω
Frequency Range	DC TO 6GHz
V.S.W.R	1.80max(DC-6GHz)
Insulation Resistance	1000 MΩ
Withstanding Voltage	500 VDC

### Inner conductor data

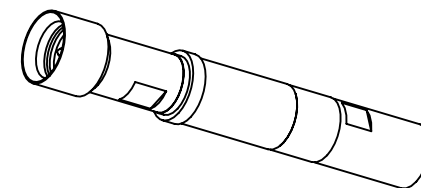
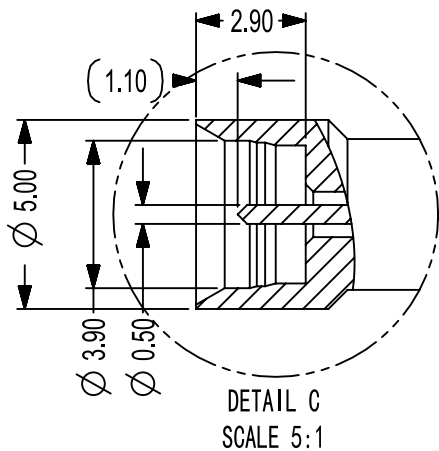
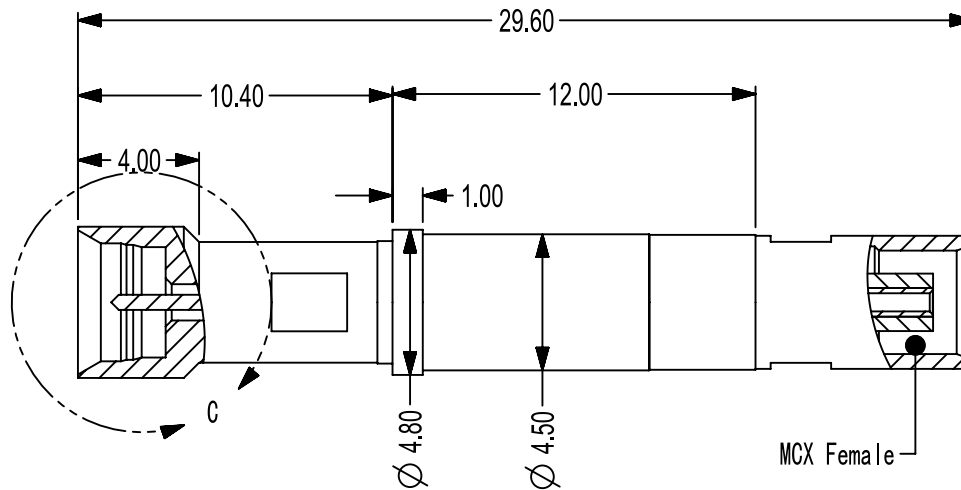
Full Travel	3.0mm
Recommended Travel	2.0mm
Spring Force	>100g@2.0mm
Tip Style Material	BeCu-Au plated
Current	3A

### Outer conductor data

Full Travel	3.0mm
Recommended Travel	2.0mm
Spring Force	>400g@2.0mm
Current	10A

### MECHANICAL PERFORMANCES

D.U.T	Special Female Connector
Interface of Cable Assembly	MCX Female
Test Life	10000 Times(PIN Changeble)
WORKING TEMPERATURE	-55°C~+85°C



Drawn	YYK	2026. 4. 17	Scale	5:1	Series: RK	Group: RF Probe	
Checked	YYK	2026. 4. 17	Sheet	1 of 1	Title: RP-XF38F73SD-30		
Approved	ERIC	2026. 4. 17	Unit	mm			
Size	A4	REV.	A	Note:	THIS DRAWING IS A CONTROLLED DOCUMENT.		
				Tolerances Unless Otherwise Specified: 0 PLC ±0.15    1 PLC ±0.10 2 PLC ±0.05    3 PLC ±0.01		上海里库电子科技有限公司 THIS DRAWING IS A CONTROLLED DOCUMENT.	